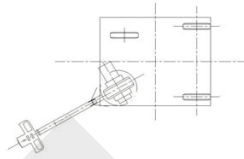
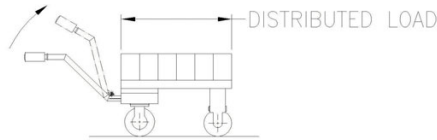


CAPACITY LOAD 0,5-200 t

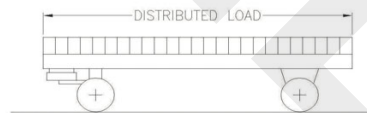
SERIES SGAM

Capacity load in t	Load platform dimensions length x width in mm				
	0,5	1500 x 1000	2000 x 1000		
1	1500 x 1000	2000 x 1000			
1,5		2000 x 1000	2500 x 1250	3000 x 1500	
2		2000 x 1000	2500 x 1250	3000 x 1500	
2,5			2500 x 1250	3000 x 1500	4000 x 2000
3,5			2500 x 1250	3000 x 1500	4000 x 2000



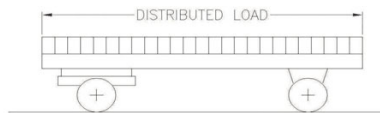
SERIES SGAI VSF

Capacity load in t	Load platform dimensions length x width in mm						
	5	2500 x 1250	3000 x 1500	4000 x 2000	5000 x 2000		
10		3000 x 1500	4000 x 2000	5000 x 2000	5000 x 2500	6000 x 2500	8000 x 2500
15		3000 x 1500	4000 x 2000	5000 x 2000	5000 x 2500	6000 x 2500	8000 x 2500
20			4000 x 2000	5000 x 2000	5000 x 2500	6000 x 2500	8000 x 2500
25			4000 x 2000	5000 x 2000	5000 x 2500	6000 x 2500	8000 x 2500



SERIES SGAI VS/VSP1

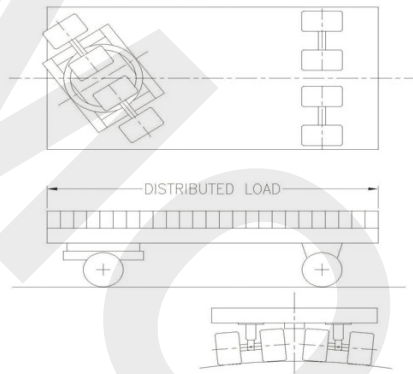
Capacity load in t	Load platform dimensions length x width in mm					
	30	4000 x 2000	5000 x 2000	5000 x 2500	6000 x 2500	8000 x 2500
35	4000 x 2000	5000 x 2000	5000 x 2500	6000 x 2500	8000 x 2500	10000 x 2500
40	4000 x 2000	5000 x 2000	5000 x 2500	6000 x 2500	8000 x 2500	10000 x 2500
50	4000 x 2500		5000 x 2500	6000 x 2500	8000 x 2500	10000 x 2500
60	4000 x 2500		5000 x 2500	6000 x 2500	8000 x 2500	10000 x 2500



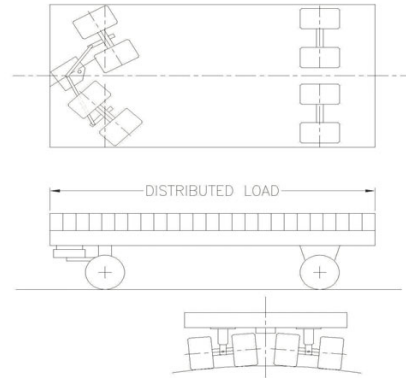
SERIES SGAI VSP1 e VSP2

Capacity load in t	Load platform dimensions length x width in mm					
	5000 x 2500	6000 x 2500	8000 x 2500	8000 x 3200	10000 x 2500	10000 x 3200
70	5000 x 2500	6000 x 2500	8000 x 2500	8000 x 3200	10000 x 2500	10000 x 3200
80	5000 x 2500	6000 x 2500	8000 x 2500	8000 x 3200	10000 x 2500	10000 x 3200
90	5000 x 2500	6000 x 2500	8000 x 2500	8000 x 3200	10000 x 2500	10000 x 3200

SGAI VSP1

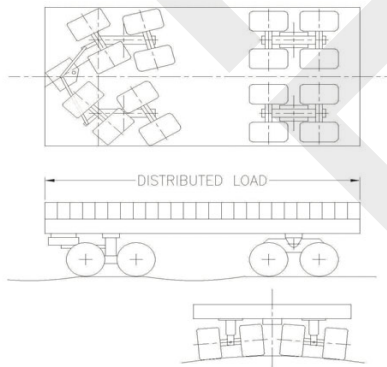


SGAI VSP2



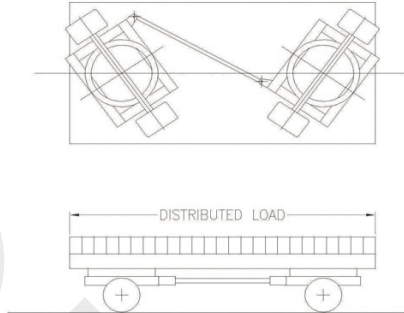
SERIES SGAI VSP3

Capacity load in t	Load platform dimensions length x width in mm					
	5000 x 2500	6000 x 2500	8000 x 2500	8000 x 3500	10000 x 2500	10000 x 3500
100	5000 x 2500	6000 x 2500	8000 x 2500	8000 x 3500	10000 x 2500	10000 x 3500
110	5000 x 2500	6000 x 2500	8000 x 2500	8000 x 3500	10000 x 2500	10000 x 3500
125				8000 x 3500		10000 x 3500
140				8000 x 3500		10000 x 3500
165				8000 x 4000		10000 x 4000
180				8000 x 4000		10000 x 4000
200				8000 x 4000		10000 x 4000



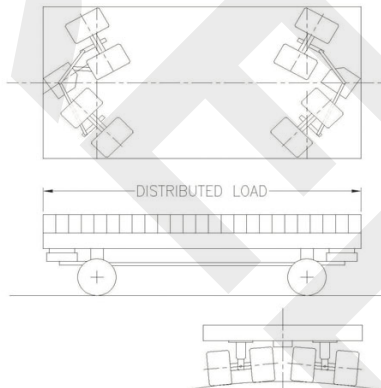
SERIES SGAI VC

Capacity load in t	Load platform dimensions length x width in mm						
	5	2500 x 1250	3000 x 1500	4000 x 2000	5000 x 2000		
10		3000 x 1500	4000 x 2000	5000 x 2000	5000 x 2500	6000 x 2500	8000 x 2500
15		3000 x 1500	4000 x 2000	5000 x 2000	5000 x 2500	6000 x 2500	8000 x 2500
20			4000 x 2000	5000 x 2000	5000 x 2500	6000 x 2500	8000 x 2500
25			4000 x 2000	5000 x 2000	5000 x 2500	6000 x 2500	8000 x 2500
30			4000 x 2000	5000 x 2000	5000 x 2500	6000 x 2500	8000 x 2500
35			4000 x 2000	5000 x 2000	5000 x 2500	6000 x 2500	8000 x 2500
40			4000 x 2000	5000 x 2000	5000 x 2500	6000 x 2500	8000 x 2500
50			4000 x 2000	5000 x 2000	5000 x 2500	6000 x 2500	8000 x 2500



SERIES SGAI VCP2

Capacity load in t	Load platform dimensions length x width in mm					
	70	5000 x 2500	6000 x 2500	8000 x 2500	8000 x 3200	10000 x 2500
80	5000 x 2500	6000 x 2500	8000 x 2500	8000 x 3200	10000 x 2500	10000 x 3200
90	5000 x 2500	6000 x 2500	8000 x 2500	8000 x 3200	10000 x 2500	10000 x 3200



SERIES SGAI VCP3

Capacity load in t	Load platform dimensions length x width in mm					
	100	5000 x 2500	6000 x 2500	8000 x 2500	8000 x 3500	10000 x 2500
110	5000 x 2500	6000 x 2500	8000 x 2500	8000 x 3500	10000 x 2500	10000 x 3500
125				8000 x 3500		10000 x 3500
140				8000 x 3500		10000 x 3500
165				8000 x 4000		10000 x 4000
180				8000 x 4000		10000 x 4000
200				8000 x 4000		10000 x 4000

